

## DamEasy Extension Pole Product Specification

Date: February 2018

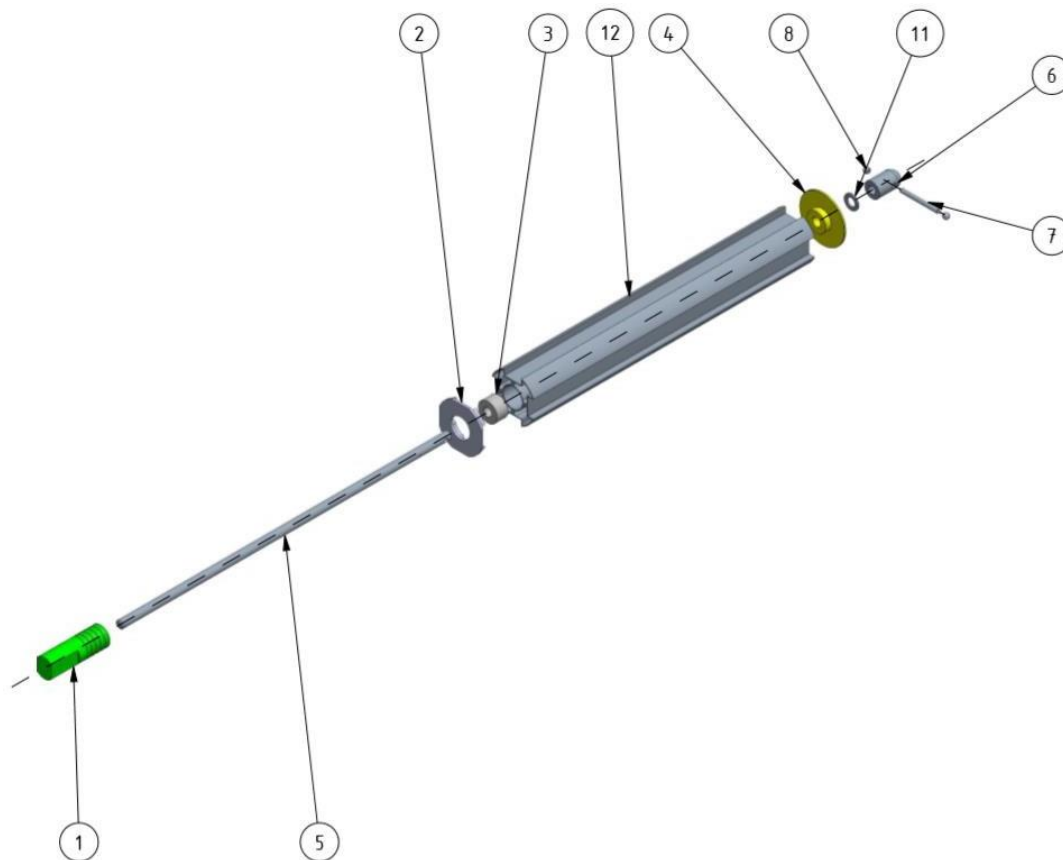
Rev: 1

### Basic Construction:

The Extension Pole allows 2 or more Dam Easy Flood Barriers to be positioned in a line to present a larger flood defence.

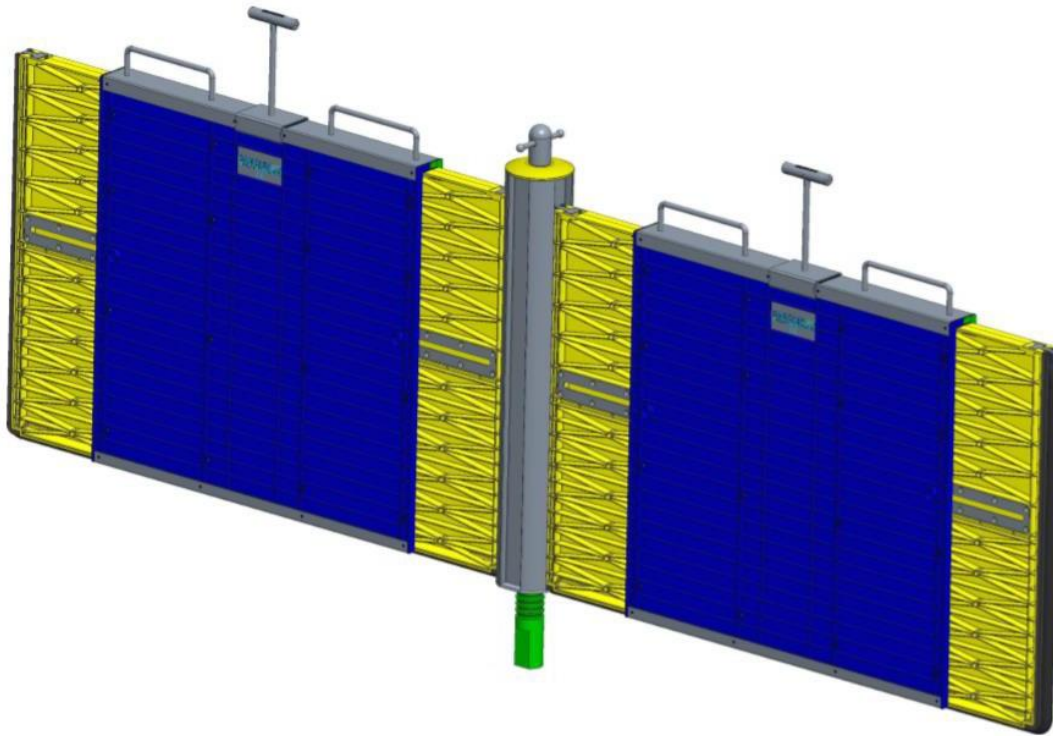
### Installation:

There is a critical preliminary installation phase. This phase requires the insertion of the ground anchor (part 1 below) as per the fitting instructions.



ITEM	DESCRIPTION	PART NUMBER	QTY
1	GROUND ANCHOR	299_001-003	1
2	RUBBER BASE	299_002-001	1
3	BOTTON THREAD INSERT	299_003-002	1
4	TOP CAP	299_004-002	1
5	THREADED ROD	299_005-002	1
6	THREADED CAP	299_006-002	1
7	TIGHTENING HANDLE	299_007-001	1
8	THIGHTENING HANDLE END CAP	299_008-001	2
9	BLANK		
10	BLANK		
11	WASHER	M20-FORM-A-FLAT-WASHER	1
12	MAIN EXTRUSION	PMG-MBS6-001-000	1

Once the ground anchors are installed multiple flood barriers may be deployed following the ground anchor points. (see fitting and installation guide for details)



The Extension poles are secured to the ground anchors by means of the internal threaded rod (part 5) This is screwed into the ground anchor (part 1) by turning the tensioning handle (part 7) clockwise until the extension pole is very firmly attached to the ground anchor

Materials:

ITEM	DESCRIPTION	MATERIAL
1	GROUND ANCHOR	STAINLESS STEEL
2	RUBBER BASE	RUBBER
3	BOTTOM THREAD INSERT	STAINLESS STEEL
4	TOP CAP	ALUMINIUM

5	THREADED ROD	STAINLESS STEEL
6	THREADED CAP	STAINLESS STEEL
7	TIGHTENING HANDLE	STAINLESS STEEL
8	TIGHTENING HANDLE END CAP	STAINLESS STEEL
9	BLANK	
10	BLANK	
11	WASHER	M20-FORM-A-FLAT-WASHER
12	MAIN EXTRUSION	ALUMINIUM

**Physical Dimensions:**

Height: - 1000 mm

Depth :- 120 mm

Mass: - 8.5kg

**Service & Sales contact:**



**AS Friis Ltd.**

34/11 Phatthana Wet 8, Sukumvit Soi 71, Khwaeng Phra Khanong Nuea, Watthana, Bangkok 10110, TH Tel:  
 +66 20 95 56 95 Fax: +66 20 95 56 90 email: [infor@as-friis.com](mailto:infor@as-friis.com) website: [www.as-friis.com](http://www.as-friis.com)