

**JIMCO**<sup>®</sup>

UV-C & OZONE  
Technology

ENVIRONMENTALLY FRIENDLY SOLUTIONS...



W•^|ÁÕ˘ ãã^

A 5 7 ) \$\$\$s

A 5 7 |^a^ |





## HYV b|WU'8 UHU

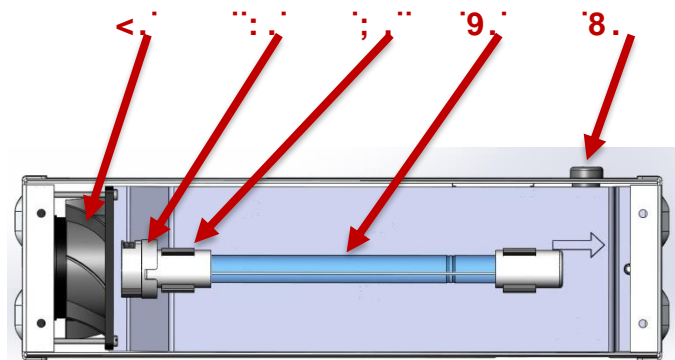
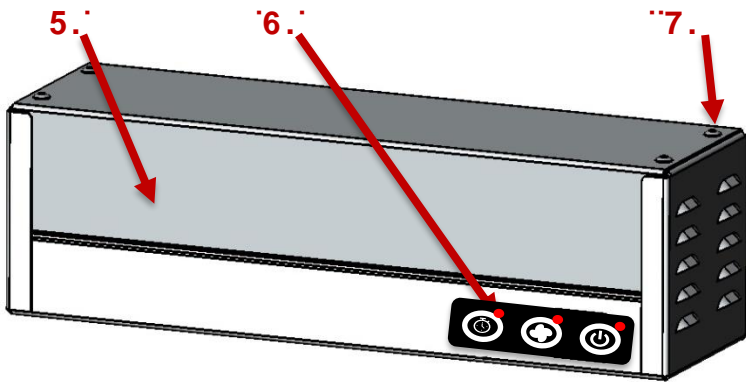
VXÁæ ] Fçl Á U] ^!ææ \*ÁQ~!• ìééÁá ^!  
 X| çæ^ GHX Š~}\*o HFEÁ {  
 Ú[ , ^!&[ }•~{ ] ç] ÁGHÁ P^ã @ JEÁ {  
 Ü[[ { Áæ^æ îÉÁ H Y äo@ JE[ {

%%: || "%

5. Ôæä^c  
 6 KÁJ• @æ~ ç] •E} }d[ |Áã @  
 Ô. Ô) &[ ~!^æ&^•Á&^, •

%&: || "&

8. Ú[ , ^!Áææ|  
 Ô. RQ ÔUËU] ^&æÁæ ]  
 :. Šæ ] Á[ & ^oÁÁ  
 Ô. Šæ ] Áqã •ÁÁ  
 <. Øæ ÁÁÁ



### <ck 'lc' i gY.

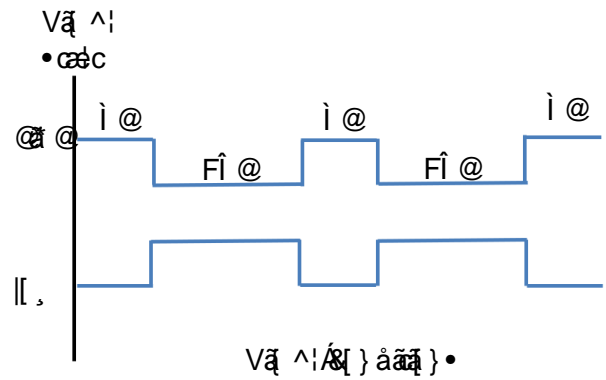
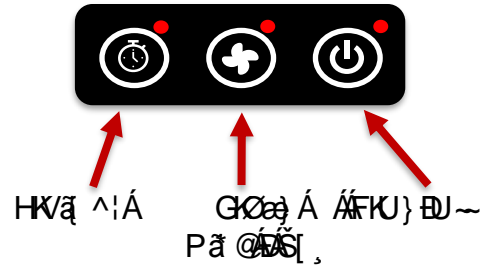
ËU, æ&@ç] |æ} &^} Áæ áÁ ~Á æç@ÁU} ÁU~Á, æ&@  
 ÇDV@Á^áÁæ ] Áã @ Áq Á áææ^ç@ç@ Áæ ] |æ} &^  
 }[, Á, æ&@áÁ }

ËV@Á~•@~ ç] ÁÇDæ Á, æ&@^ç ^} Áç ç] áÁ,  
 •] ^^áËV@Á^áÁ ç] } Áç@ç ç] } Áã @ Á @} Áç@ç Áæ  
 !~}} ä \* Áæç@ç] ^^áËV@Áæ ] |æ} &^æ, æ•Á çç@æ  
 Pã @] ^^áÁ @} Á, æ&@áÁ } È

ËU!••ä \* ÁçÁv^!Á~ ç] } ÁÇD^o Áç@Á} æÁ Áv^!  
 { [ ^áËV @} ÁçÁv^!Á~ ç] } Áç!••^áËV@Áæ Á ç] Á~ }  
 æ&@Á&!!} ç] ^^áÁq!ÁÁQ~!•Ëç@} Á, æ&@•Á] ^^áÁq!  
 Fí ÁQ~!•ËV@Á& &^Áq} ç] ^•Á} ç] Áç@Áv^!Á~ ç] } ÁÇDæ  
 ] !••^áÁæ ç] Áç@Á} æÁ Á, æ&@áÁ ~ËV@Á^áÁ ç] }  
 ç@ç~ ç] } Á áææ^ç@ç@ Á} æÁ Á Áv^!Á [ ^

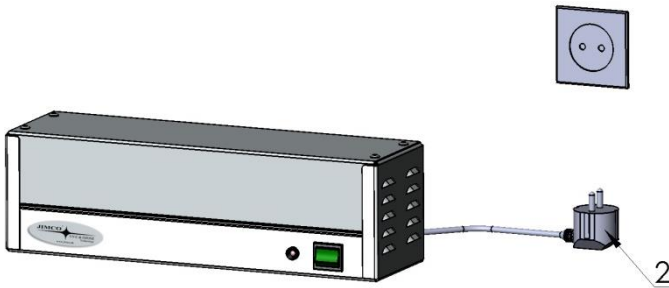
ËY @} Áç!^Áæ^Á éÉ] ^!ææ \*ÁQ~!•Á~ ç] ÁU~  
 |æ ] Á ç] Áççç] Áæ ç] Áç@ç ] |æ} &^ç@ç^} Á  
 [ ] ^!ææ ] Áq!Á [ !^Áçç Á ééçQ~!•Ëç] ÁÁ^áÁ ç] Áçç  
 çæ ç] \* Áæ áÁæ ç] •ç] ä} æÁ Áç@çáÁæ [ ~} áÁç^!Á~  
 { ä~ç•ËV@Áæ ] Á~ç] [, Á^Á] |æ^áÈ

ËY @} Áç@Áæ ] ÁÁ^ |æ^áÁ~^áç@Áv^!Á~ Áq |æä \*  
 á[, ] Áç@Áv^!Á~ ç] } ÁÇDæ áç@Áç Áç ç] } ÁÇDæ!  
 { [ !^Áç@} ÁÁ^& } á•ËÁ~ æ Á^} •Áç@çáÁæ áç@  
 ~} æÁ Á^æ^ Áq!Á~^áÁæ È



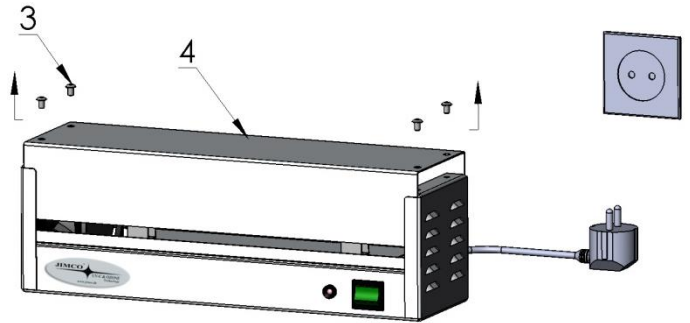
### @a d'W Ub] Y.

#### Step: 1



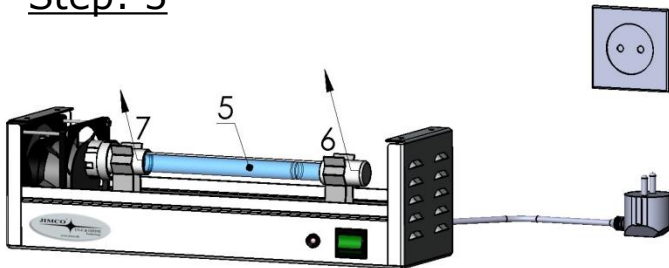
Disconnect the power to the MAC500s by unplugging (position 2) from the wall socket

#### Step: 2



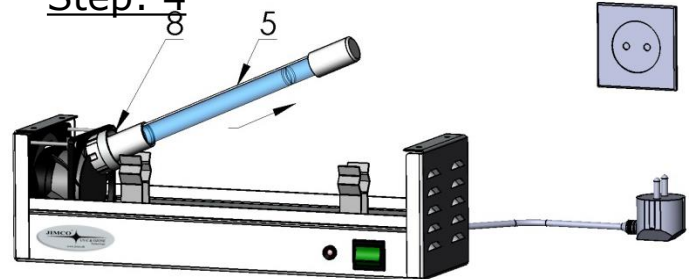
Remove the four screws (position 3) and remove the cover (position 4)

#### Step: 3



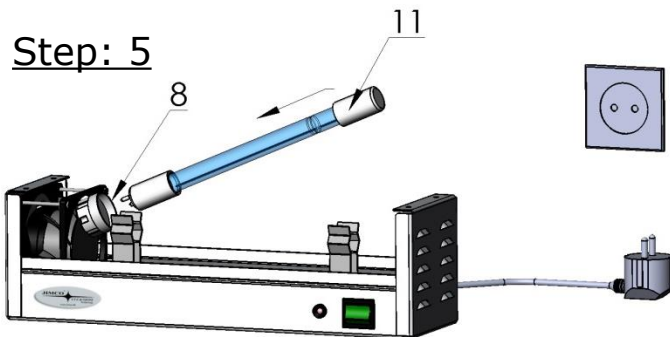
Lift the lamp (position 5) out of lamp clip A (position 6) and lamp clip B (position 7)

#### Step: 4



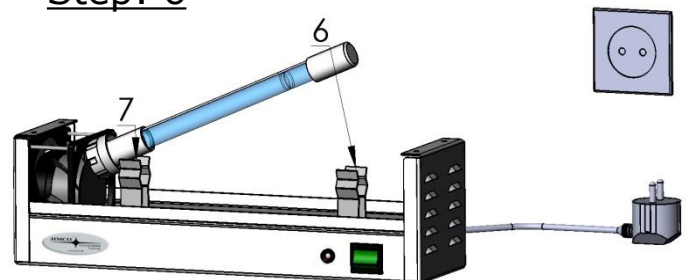
Pull the lamp (position 5) out of the socket (position 8)

#### Step: 5



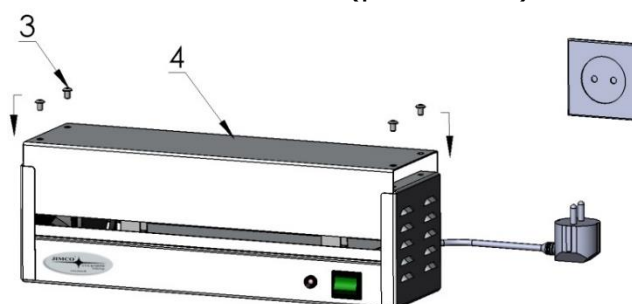
Insert the new lamp (position 11) into the socket (position 8)

#### Step: 6



Push the lamp (position 11) down into lamp clip B (position 7) and lamp clip A (position 6)

#### Step: 7



Attach the lid (position 4) and install the four screws (position 3)

**STATEMENT OF COMPLIANCE**

The undersigned, who represent the manufacturer mentioned below

Manufacturer:	Jimco A/S
Address:	Mjølbyvej 7 – DK-5900 Rudkøbing

or who represent the manufacturers authorised representative within the EU

Authorised representative:	
Address:	

**Declare that**

Product identification :	MAC500s
--------------------------	---------

is manufactured in compliance with the following EU directives:  
(Including all addition appendixes)

Reference No.	Title
2014/35/EU	Low Voltage Directive(LVD)

And that standards and/or technical specifications mentioned below.  
Year when CE label was affixed: 1999

Identification of signer: Jimmy Larsen

Date: 08-04-2019

Signature:



References to standards and/or technical specifications which are used for this "Statement of Compliance" or parts thereof.

- **Harmonised standards:**

No.	Version	Title	Parts (1)
EN60204-1	2	Machinery Safety – Electrical material on machinery	

- **Other standards and/or technical specifications:**

No.	Version	Title	Parts (1)

- **Other technical solutions, where detailed information is included in the technical documentation or the technical dossier for the construction.**

.....  
**Other references or information required by the/those current EU directive(s):**  
.....

# GYfj JW'f YWcfX'



Ú! [ á & \! K R á & Á S Ú Ô Á C B / Á É Í Â Í F Á Í Í Á  
k k k "Ja Wt "X"  
Úæ } á ! Á Úæ } q ^ } á ã \* No: 1713562

Serial Number: \_\_\_\_\_.

:

Purchase Date: \_\_\_\_\_ / \_\_\_\_\_ / \_\_\_\_\_.

Line ID : AS FRIIS LTD.

Šæ ] Á c & @ \* ^ K